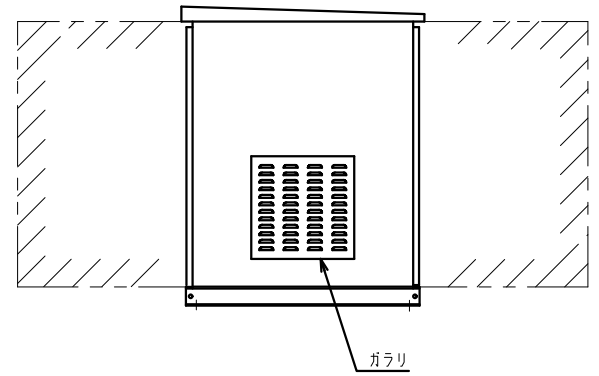
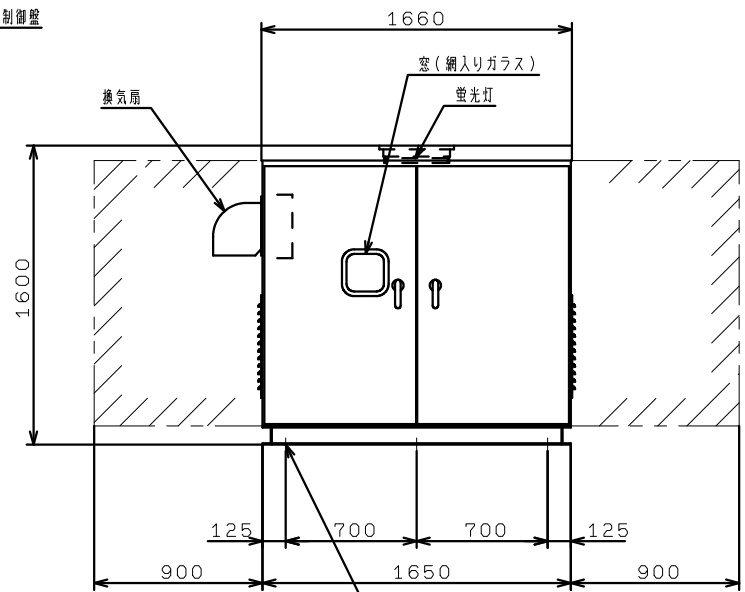
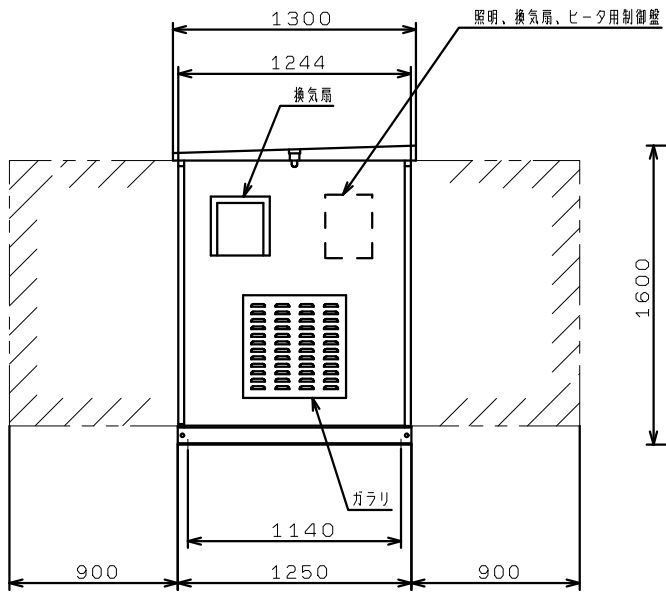
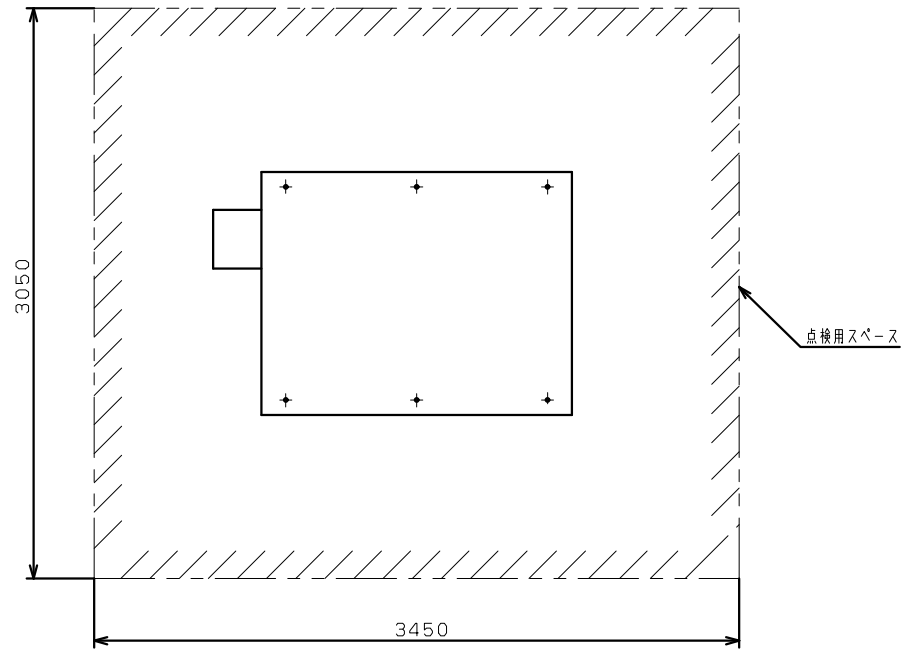


KTK40*C(E)**FW KTK40*C(E)**TW
 KTK50*C(E)**FW KTK50*C(E)**TW
 KTK65*C(E)**FW KTK65*C(E)**TW

KTK40*C(E)**FPW KTK40*C(E)**TPW
 KTK50*C(E)**FPW KTK50*C(E)**TPW
 KTK65*C(E)**FPW KTK65*C(E)**TPW



6-φ19
 6-推奨基礎ボルト M16X200※