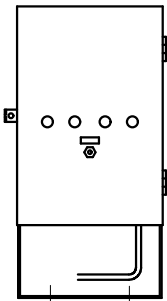
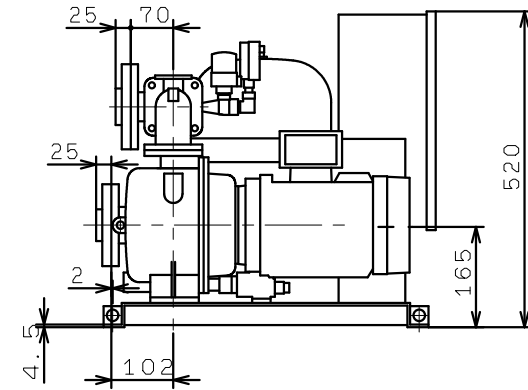
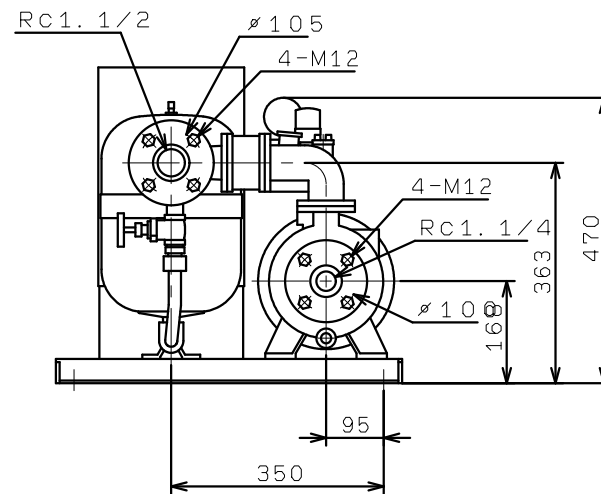
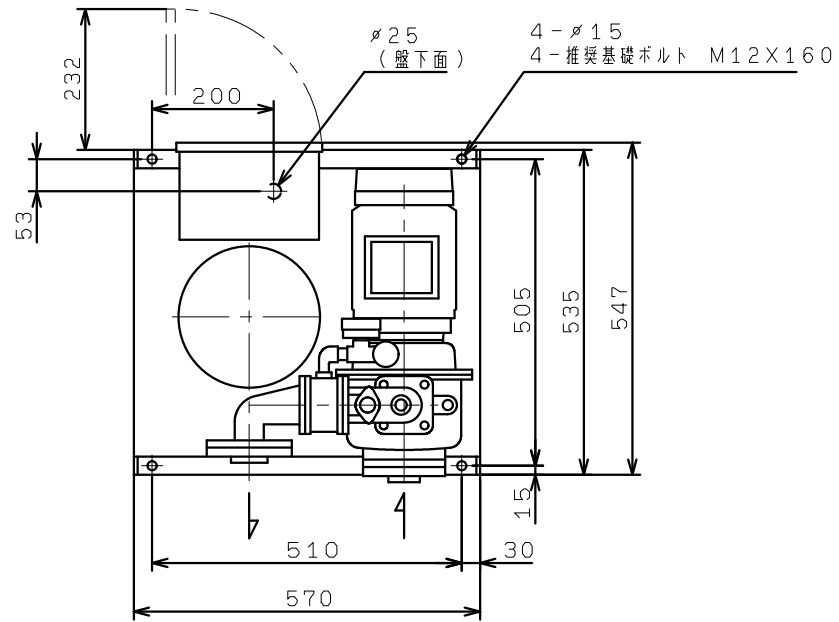


KB2-325LSE1.1
 KB2-326LSE1.1
 (VC41)



(制御盤正面図)

